

2MP 25X IR Network PTZ



TD-8423IS3N (PE/25M/AR30)



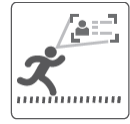
HDR



Full H.D



VCA



Smart tracking



Perimeter



PoE



IP66



300m



System

TD-8423IS3N(PE/25M/AR30), the 3rd generation of AI smart-tracking PTZ camera which adopts a high quality 25x optical zoom lens, and high computing AI SOC, could deliver top-notch 1920x1080@30fps image details over a wide open area. The PTZ camera can detect max 17 objects per scene, classify human/vehicles within 600m in radius, when any of them intrude restricted area, the camera will trace, zoom fit in center of screen, snap and record and trigger alert until object disappeared. This new generation of PTZ improved the sensitivity, dynamic range and night vision distance greatly. It could bring up vivid color image in most areas, without switching to IR night mode or WDR/BLC/HLC. Even in the pitch black environment, it could capture human appearance up to 300m or human behaviors up to 600m, at court evidence level. The PTZ has H.265 video compression which reduces bit rate down to 50% of H.264 without loss. And it conforms to the ONVIF, ensuring interoperability between surveillance video products regardless of manufacturers. The PTZ confirms to most security regulation and data protection policy. With competitive price, excellent picture quality and good protection, the camera could meet the demand of small size of surveillance application.

Key Spec:

- Excellent low light performance
- Super long IR light supplement distance for a small PTZ
- Deep-learning engine, support human/vehicles detection, auto-tracking
- Small body, good protection, 7x24Hours outdoor weather
- Stable supply-chain, long product life circle,
- Confirms to data protection regulations of major countries.

Application:

Intrusion, perimeter protection and alarm for a large area, such as parks, scenic spots, stations and venues, industrial park.
Suggestion installing height: about 5-15m.

Specifications:

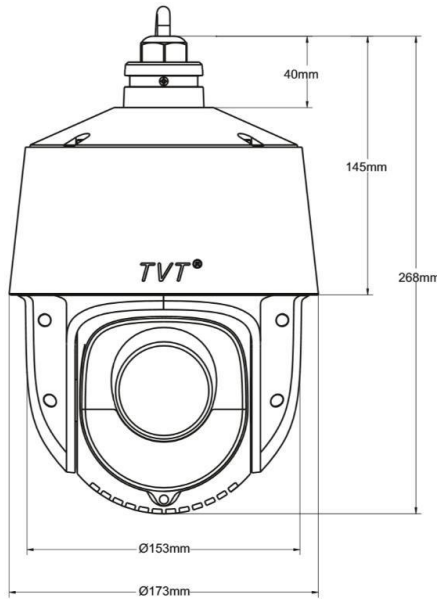
Camera Module					
Image sensor	1/2.8" progressive scan CMOS image sensor(BSI and NIR++,dual gain)				
Max resolution	1920x1080				
Mini. Illumination	Color: 0.00125 Lux @ (F1.6, AGC ON); B/W: 0.00025Lux @(F1.6, AGC ON);0Lux with IR				
Image setting	Flip, Mirror, Saturation, Brightness, Contrast, Sharpness, AGC, etc. adjusted by client				
Shutter Speed	60Hz: 1/30s – 1/30,000s; 50Hz: 1/25s~1/25,000s				
White Balance	Auto/Manual/Indoor/Outdoor				
Gain control	Auto/Manual				
Day & Night control	Auto/Manual , time schedule.				
Iris control	Auto/Manual				
SNR	≥52dB				
3D DNR	Auto/Manual				
AE Enhancement	BLC, HLC, 128dB HDR				
Digital Zoom	16X				
Electronical Stabilizer	N/A				
Privacy Mask	4 areas, up to 8 mask per request.				
Picture overlay	Logo picture could be overlaid on video with 128x128pixels,24bits format				
OSD overlay	Max 15 characters/line, 8 lines, white or red font color				
Lens					
Focus length	f=4.8-120mm lens,25x optical zoom				
Zoom Speed	Approx. 3.6s (optical zoom, wide-tele)				
Field of View	Horizontal: 55 °~ 2.4 °;Vertical: 33 °~ 1.4 °Diagonal: 61.5 °~2.8 °(Wide-Tele), ± 5%				
Image distance	Wide: 1.0m ~ INF; tele: 1.5m ~ INF				
Aperture Range	Max F1.6				
Iris Type	DC_IRIS				
IRCut type	Removable IRCut filter. Blue diamond glass to remove image flare				
DORI distance	Focus length	Detect	Observe	Recognize	Identify
	f=4.8mm	73.5m(241.14 f.t.)	29.16m(95.67 f.t.)	14.7m(48.22 f.t.)	7.35m(24.11 f.t.)
	f=120mm	1517.4m(4978.3f.t.)	602.2m(1975.7 f.t.)	303.4m(92.5 f.t.)	151.7m(46.25 f.t.)
PTZ					
Pan Range	360 °endless				
Pan speed	Configurable, from 0.1~200 %s; Preset speed: 240 %s				
Tilt Range	From -10 °to 90 °;auto flip				
Tilt Speed	Configurable, from 0.1 ~200 %s, Preset speed: 240 %s				
Proportional Zoom	Yes				
Preset	360				
Cruise	8 cruises, up to 16 presets for each cruises				
Trace	4 traces, record time over 3 minutes for each trace				
Power off memory	Support				
Action mode	Preset/Cruise/Trace/Auto Scan/Random Scan				
3D Positioning	Support				
PTZ Position Display	Support				
Schedule Task	Preset/Cruise/Trace/Random Scan/Boundary Scanning /Dome reboot/Water Remover/Defrost				
IR					
IR Distance	300m (984.3 f.t.)				
Smart IR	Yes				
Network					
Main stream	50Hz: 1920 × 1080,1280 × 960,1280 × 720 @25fps; 60Hz: 1920 × 1080,1280 × 960,1280 × 720 @30fps				
Sub stream	50Hz: 704 × 576, 640 × 480, 352 × 288 @25fps; 60Hz: 704 × 480, 640 × 480, 352 × 240 @30fps				

Third Stream	50Hz: 1920 × 1080, 1280 × 960, 1280 × 720, 704 × 576, 640 × 480, 352 × 288 @ 25fps 60Hz: 1920 × 1080, 1280 × 960, 1280 × 720, 704 × 480, 640 × 480, 352 × 240 @ 30fps
Video compression	H.265+/H.265/H.264+/H.264/MJPEG
H.264 Standard	H.264/AVC codec BP/MP/HP, Level 5.1
H.265 Standard	H.265/HEVC codec MP, level 5.0
Video Bit Rate	64Kbps to 16Mbps
Audio compression	G.711 A/U
Audio Bit Rate	64K bps
Protocols	HTTP, HTTPS, IPv4/IPv6, 802.1x, QoS, FTP, SMTP, UPnP, SNMP, DNS, DDNS, NTP, RTSP, RTCP, RTP, TCP/IP, UDP, DHCP, PPPoE, P2P
User / Host	Up to 16 users, 3 levels: Administrator, Advanced User and Normal User
Security Measures	User authentication (ID and PW), Host authentication (MAC address); HTTPS encryption, IEEE802.1x port-based network access control; IP address filtering
API	ONVIF G/S/T, support TVT SDK and third-party management platform
Client	TVT N9000 1.4.6, TVT NVMS 2.0; and the third-party client, free iOS and Android App
Web Browser	IE8-11 with plug-in; Edge, Chrome, Firefox with plugin free
Smart Features	
Basic event	Motion detection, Video tampering alarm, Exception(Network disconnected, IP address conflict, SD full, SD error)
Face recognize	Default off (Per customer request), max 17faces per scene, detect, capture, upload, score, compare.
Road traffic	Vehicle detecting and tracking
Smart Detection	Tripwire, Bi-directional tripwire, Intrusion detection, Region entrance detection, Region exiting detection, etc. More VCA per request.
Smart Tracking	Smart tracking of human or vehicle, auto/manual
System Integration	
Alarm Interface	1 Alarm input(Dry contact); 1 Alarm output
Audio Interface	1 audio input, line level, 2.0-2.4Vpp, impedance 1KΩ ; 1 audio output, line level, impedance, 600Ω
Alarm Linkage	Alarm actions, such as Preset, Cruise, Track, Memory Card Video Record, Trigger Recording, Upload to FTP/Memory Card, Send Email, etc.
Network Interface	1 RJ45 10M/100M Adaptive Ethernet ,Support PoE
SD Card Slot	One MicroSD slot, up to 256G
RS485	N/A
BNC	N/A
Built-in Speaker & Mic	N/A
Reset button	Yes
Built-in Heater & Fan	Yes
Water removal	anti-rain-drops lotus coating glass, quick-spinning
Frost removal	Hot air loop, desiccant, vacuumize
General	
Languages	Czech; English, German ; Hungarian ; Italian ; Japanese ; Korean ; Portuguese, Polish; Russian, Romanian, Spanish; Spanish(Mexico); Simplified Chinese; Turkish; Traditional Chinese, etc.
Power Supply	DC12V ±25%, 3000mA ,PoE (802.3.at, class 3), max 22W include IR ON+PTZ working
Working condition	-40 °C ~ 65 °C (-44 °F ~ 149 °F), IR OFF; -40 °C ~ 50 °C (-40 °F ~ 113 °F), IR ON; Cold start at - 30 °C (0.5-1 hour waiting); 90%RH
Storage condition	-40°C ~ 70°C ; ≤ 95% RH
Protection	6000V Lightning Protection, Surge Protection and Voltage Transient Protection
Shield Material	Aluminum Alloy(ADC12); Polymer(PC+GF15%)
Dimensions	Φ 173mm × 268mm (Φ6.8 inch × 10.55 inch)
Net Weight	Approx. 2.1Kg (4.63 lb.)
Certification	IP66, IK10(excluding glass window, customize IK10 glass per request), ROHS, CE, FC, UKCA, KC

Ordering information:

TD-8423IS3N(PE/25M/AR30)	2MP 25X Starlight IR 300m Network PoE Smart-tracking 4inch PTZ Camera, IP66, -40°C~65°C, DC12V/PoE+, not include power adaptor and bracket
--------------------------	--------------------------------------------------------------------------------------------------------------------------------------------

Dimensions:



Accessories(optional):



TD-YZJ0808
Wall mounting bracket



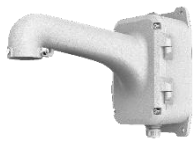
TD-YZJ0808+TD-YZJ0501
Pole mounting bracket



TD-YZJ0808+TD-YZJ0601
Corner mounting bracket



TD-YZJ0807
Pendant mounting bracket



TD-YZJ0311
Wall mounting bracket
with junction box



TD-YZJ0312
Pole mounting bracket
with junction box



TD-YZJ0313
Corner mounting bracket
with junction box



TD-YZJ0701E
In-ceiling bracket



DC12V 3A
Power adaptor



TD-B901
30W PoE+ Midspan(CE/FCC/UL...)

* All pictures and texts are for reference only. Actual product may vary due to product enhancement.

Shenzhen TVT Digital TECHNOLOGY CO.,LTD

Address: 23rd Floor, Block B4, Building No.9,Shenzhen Bay, Eco-Technology Park, Nanshan District, Shenzhen, Guangdong Province, P.R.China

Tel: +86-755-36995888

Fax: +86-755-33104777

Web site: <http://en.tvt.net.cn>

E-mail: overseas@tvt.net.cn